



CEILING SYSTEMS

[Between us, ideas become reality.]



A2001



D2001



D4100

i ceilings™
sound systems

Installation Manual (abstract)

A2001 Processor

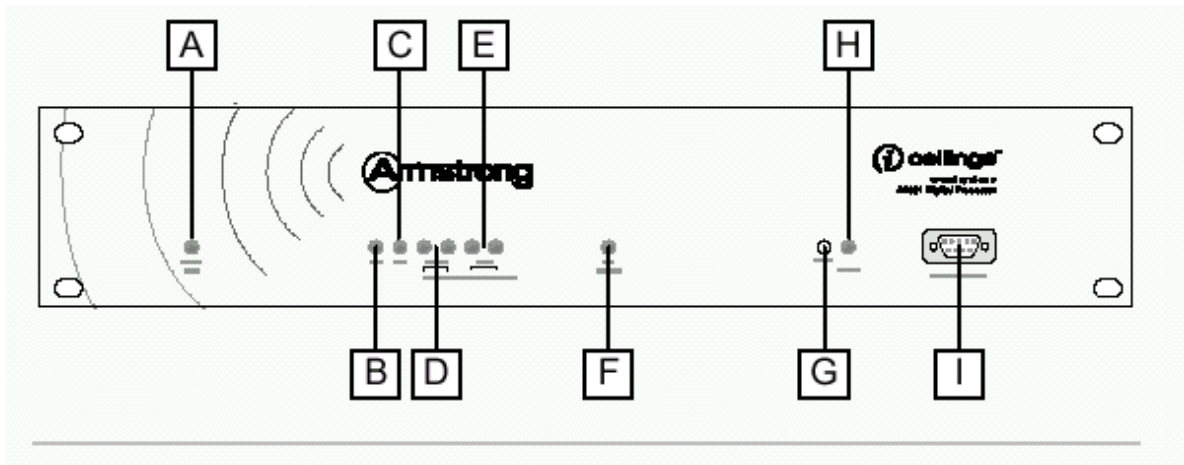
D2001 Processor

D4100 Amplifier



A2001 ANALOG OUTPUT PROCESSOR

FRONT PANEL



A MUTE ALL INDICATOR LIGHT

Indicates when the ALL MUTE function has been activated

B MIC INDICATOR LIGHT

Indicates the internal level of microphone audio. This is identical to the rear panel MIC LEVEL indicator light

C TEL INDICATOR LIGHT

Indicates the internal level of Telephony audio.

D MUSIC 1 & 2 INDICATOR LIGHTS

E LINE 1 & 2 INDICATOR LIGHTS

Indicates the internal level of Line 1 and Line 2 audio.

F DSP STATUS INDICATOR LIGHT

Indicates the status of the internal digital signal processing circuitry.

G RESET BUTTON

Press to reset the Processor.

H POWER INDICATOR LIGHT

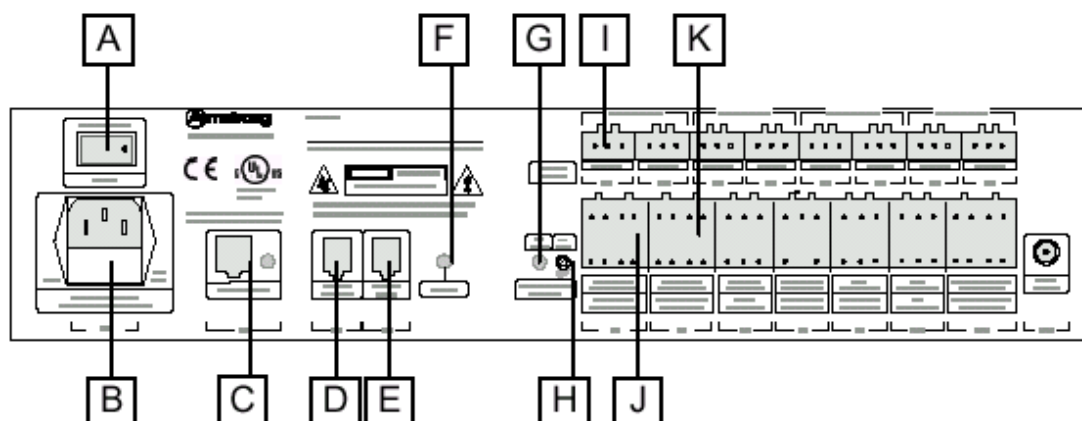
Indicates that the Processor is powered ON and the internal power supply is working.

I SYSTEM SETUP

Connect your laptop computer running Armstrong A2D2 software to this RS-232 serial port.

A2001 ANALOG OUTPUT PROCESSOR

REAR PANEL



A POWER SWITCH

B POWER SUPPLY INPUT AND FUSE BLOCK [J1]

C FACTORY TEST [J2]

D REMOTE CONTROL [J3]

E SYSTEM SETUP [J4]

Connect your laptop computer running Armstrong A2-D2 software to this RS-232 serial port.

F UPLOAD

Used when reloading the internal program for the Processor.

G MIC LEVEL INDICATOR LIGHT

Indicates the internal level of microphone audio. This is identical to the front panel MIC indicator light.

H MIC AGAIN

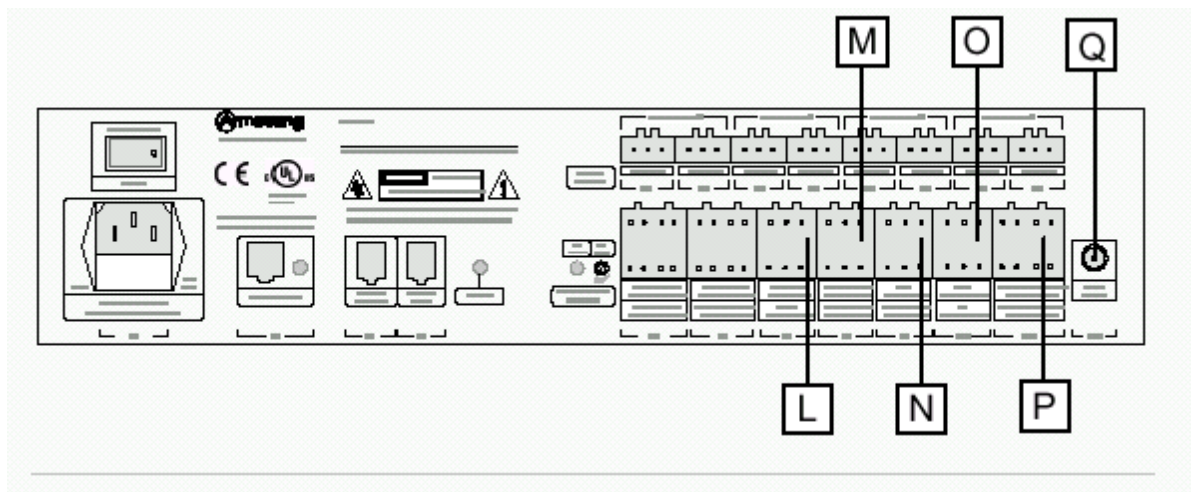
I OUTPUT TO AMPS [A1 – D2]

J MIC CONTROL (C1 – C4) [J5]

K MIC CONTROL (C5 – C6) / ALL CALL (C7) / ALL MUTE (C8) [J6]

A2001 ANALOG OUTPUT PROCESSOR

REAR PANEL (Continued)



L MICROPHONE [J7 position]

Balanced mic-level input for the paging microphone..

M MUSIC 1 / MUSIC 2 [J8]

N LINE 1 / LINE 2 - MASTER PAGE [J9]

Line level (0 dBu operating level) mono inputs for music.

O TELCO / OPX [J10]

The Telco port accepts a dry loop connection from a PBX or interface box.

P BUSY IN / TELCO CONTROL [J11 Position]

The optional Busy In control inputs is driven by the Busy Out control output of an upstream Processor.

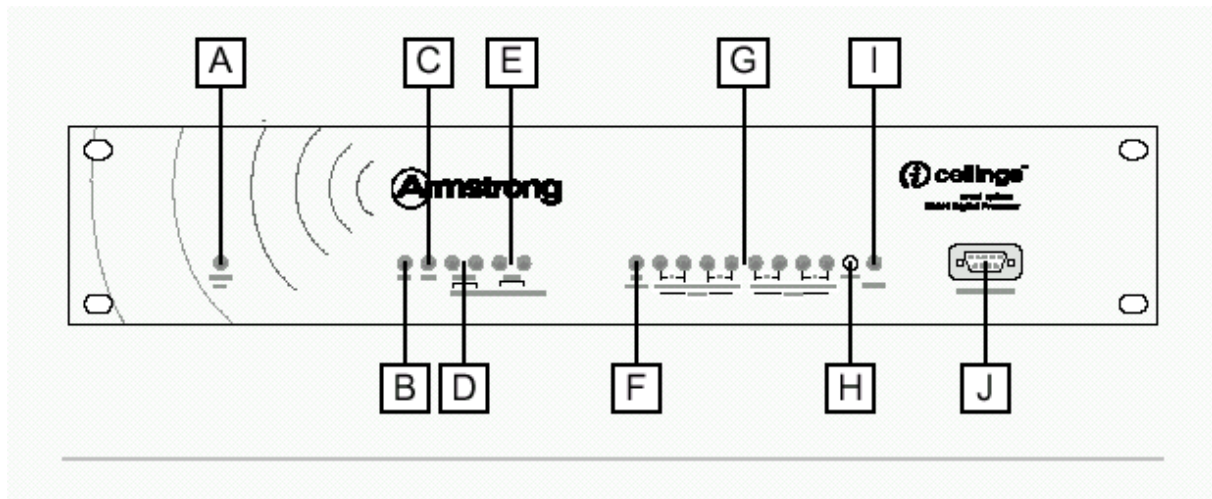
OPX CONTROL / BUSY OUT [J11 position]

The OPX Control output follows the action of the unit's Telco Control input of the next downstream Processor.

Q S/ PDIF DIGITAL AUDIO INPUT [J12].

D2001 DIGITAL OUTPUT PROCESSOR

FRONT PANEL

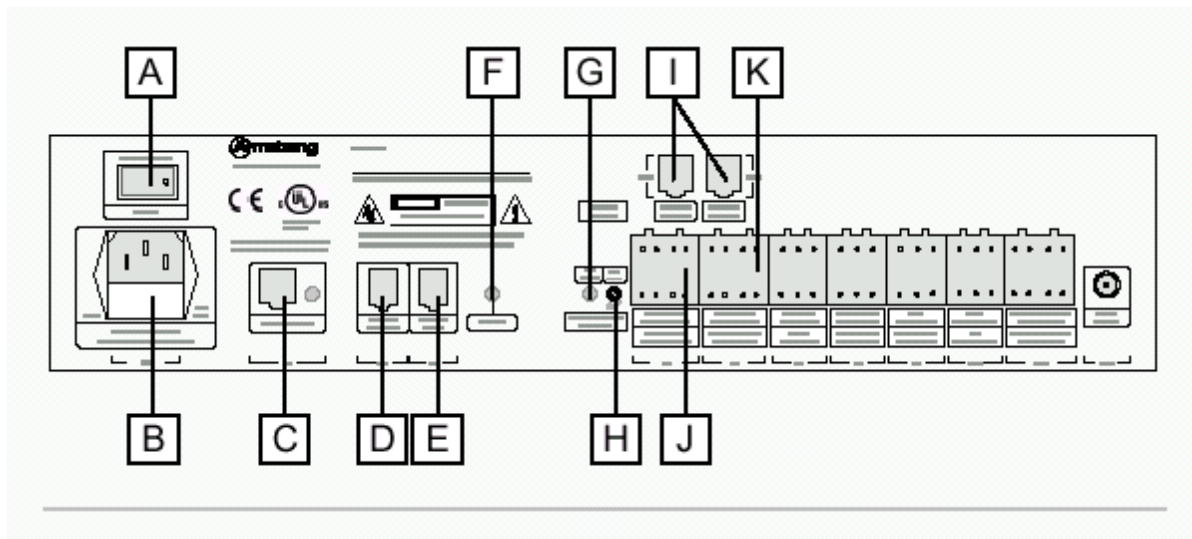


In addition to A, B, C, D, E, F features of A2001, the D2001 front panel includes the following:

- G AMPLIFIER SYNC & STATUS INDICATOR LIGHTS**
- H RESET BUTTON**
- I POWER INDICATOR LIGHT**
- J SYSTEM SETUP**

D2001 DIGITAL OUTPUT PROCESSOR

REAR PANEL



A POWER SWITCH

B POWER SUPPLY INPUT AND FUSE BLOCK [J1]

C FACTORY TEST [J2]

D REMOTE CONTROL [J3]

An RS-232 serial port provided for external control by third-party controllers.

E SYSTEM SETUP [J4]

F UPLOAD

G MIC LEVEL INDICATOR LIGHT

H MIC GAIN

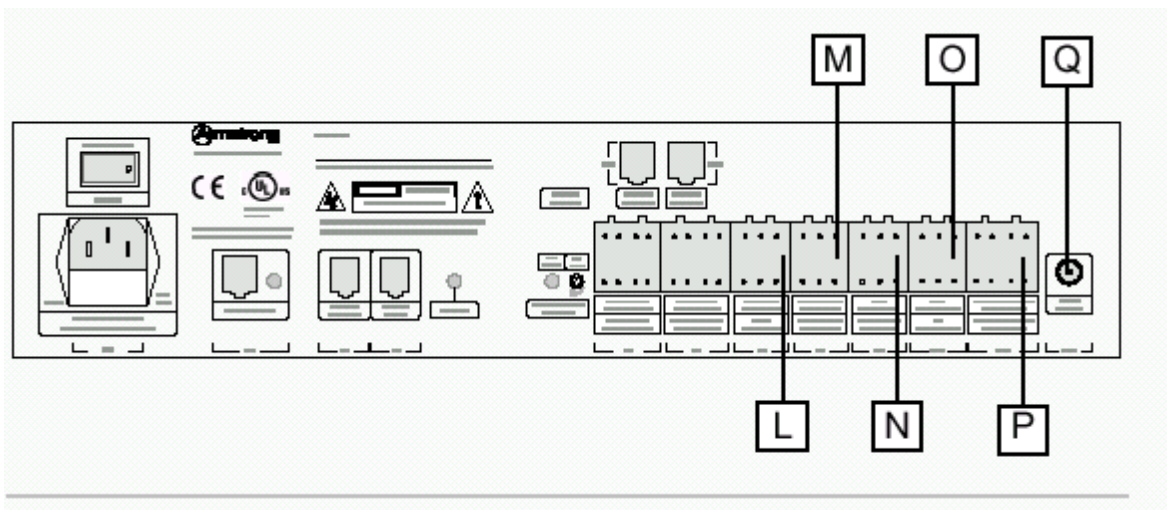
I OUTPUTS TO D4100 AMPS [J13 and J14]

J MIC CONTROL (C1 – C4) [J5]

K MIC CONTROL (C5 – C6) / ALL CALL (C7) / ALL MUTE (C8) [J6]

D2001 DIGITAL OUTPUT PROCESSOR

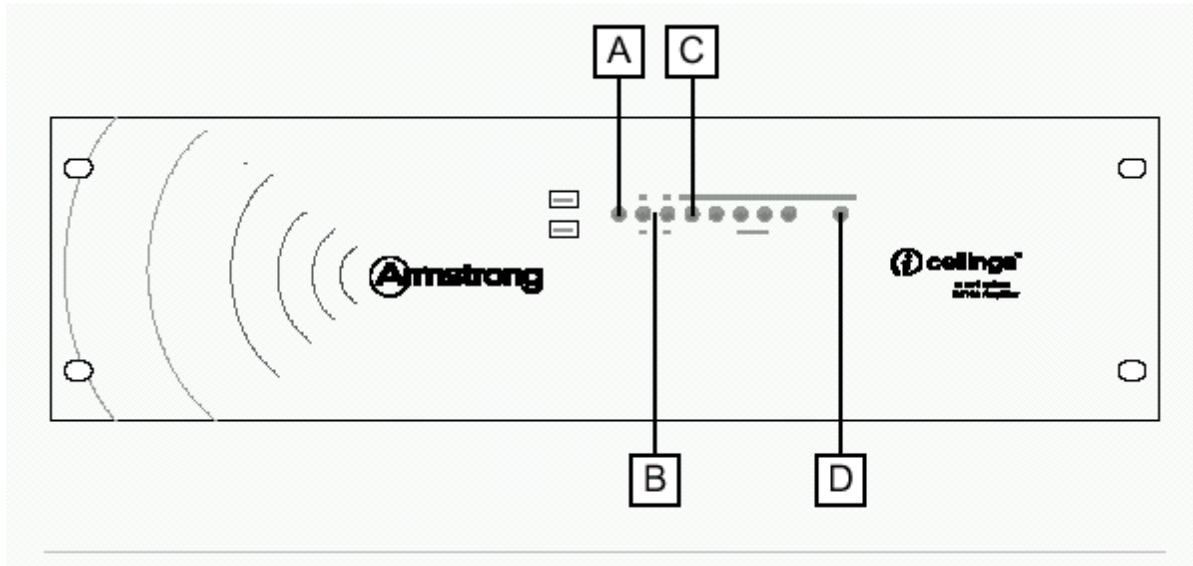
REAR PANEL (Continued)



- L MICROPHONE**
- M MUSIC 1 / MUSIC 2 [J8]**
- N LINE 1 / LINE 2 - MASTER PAGE [J9]**
- O TELCO / OPX [J10]**
- P BUSY IN / TELCO CONTROL [J11 Position]**
OPX CONTROL / BUSY OUT [J11 position]
- Q S/ PDIF DIGITAL AUDIO INPUT [J12].**

D4100 DIGITAL AMPLIFIER (4X100 Watts)

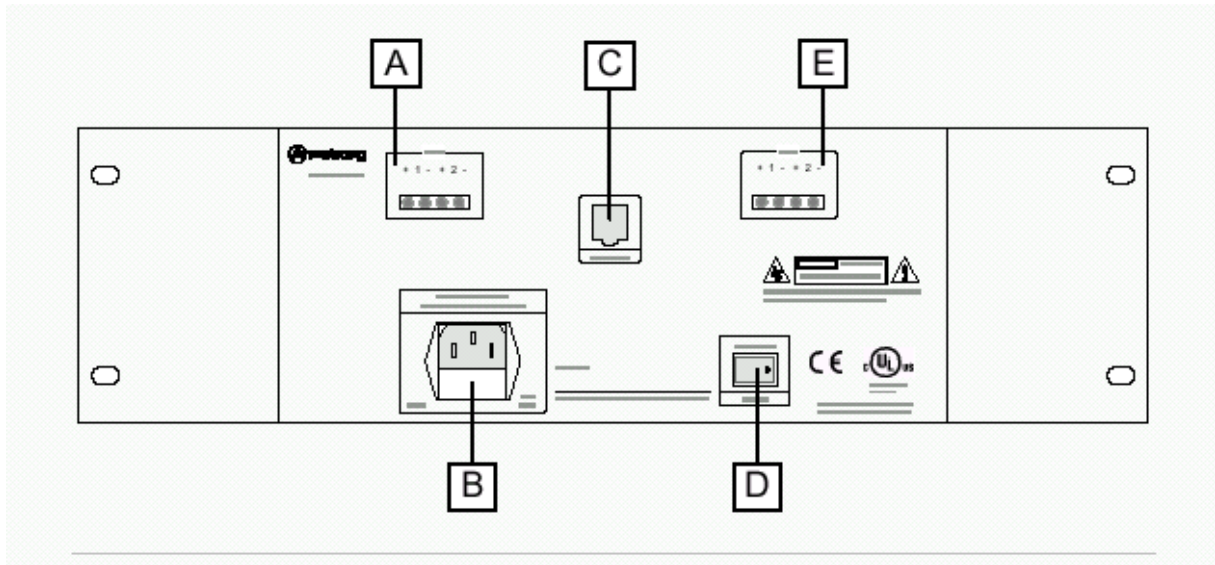
FRONT PANEL



- A DATA INDICATOR LIGHT
- B A1- D2 OUTPUT STATUS INDICATOR LIGHT
- C POWER SUPPLY STATUS INDICATOR LIGHT
- D STANDBY INDICATOR LIGHT

D4100 DIGITAL AMPLIFIER (4X100 Watts)

REAR PANEL



A B / D AMPLIFIER OUTPUTS

Amplifier outputs B1 & B2 or D1 & D2

B POWER SUPPLY INPUT AND FUSE BLOCK

C DIGITAL INPUT

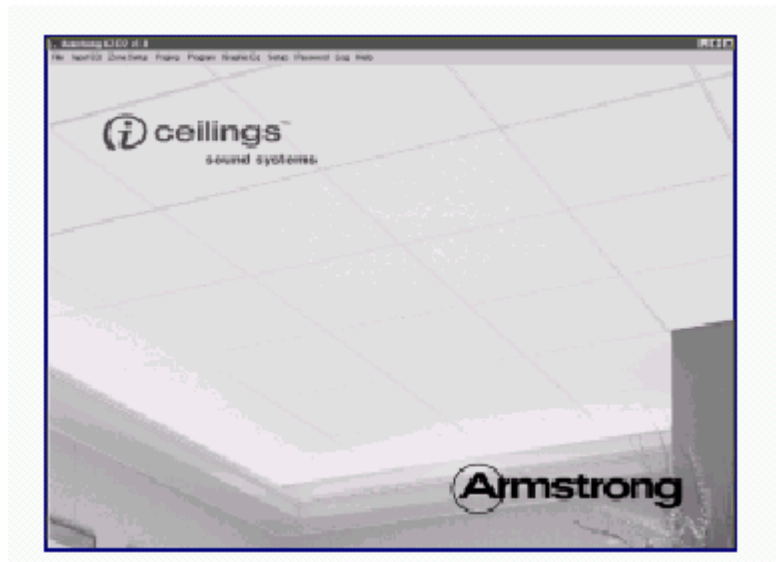
D POWER SWITCH

E A / C AMPLIFIER OUTPUTS

Amplifier outputs A1 & A2 or C1 & C2

GRAPHIC USER INTERFACE

The A2D2 software manages the range of applications offered by the Armstrong electronics



Armstrong processors are compatible with AMX / Crestron systems